

NOTES

ASSUMED LIVE LOAD ----- HL-93 OR ALTERNATE LOADING.  
 DESIGN FILL-----  
 FOR OTHER DESIGN DATA AND NOTES SEE STANDARD NOTE SHEET.  
 3"Ø WEEP HOLES INDICATED TO BE IN ACCORDANCE WITH THE SPECIFICATIONS.  
 CONCRETE IN CULVERTS TO BE POURED IN THE FOLLOWING ORDER:

1. WING FOOTINGS AND FLOOR SLAB INCLUDING 4" OF ALL VERTICAL WALLS.
2. THE REMAINING PORTIONS OF THE WALLS AND WINGS FULL HEIGHT FOLLOWED BY ROOF SLAB AND HEADWALLS.

THE RESIDENT ENGINEER SHALL CHECK THE LENGTH OF CULVERT BEFORE STAKING IT OUT TO MAKE CERTAIN THAT IT WILL PROPERLY TAKE CARE OF THE FILL.

THIS BARREL STANDARD TO BE USED ONLY ON CULVERTS ON 105° SKEW AND TO BE USED WITH STANDARD WING SHEET WITH THE SAME SKEW AND VERTICAL CLEARANCE.

DIMENSIONS FOR WING LAYOUT AS WELL AS ADDITIONAL REINFORCING STEEL EMBEDDED IN BARREL ARE SHOWN ON WING SHEET.

TRANSVERSE CONSTRUCTION JOINTS SHALL BE USED IN THE BARREL, SPACED TO LIMIT THE POURS TO A MAXIMUM OF 70 FT. LOCATION OF JOINTS SHALL BE SUBJECT TO APPROVAL OF THE ENGINEER.

STEEL IN THE BOTTOM SLAB MAY BE SPLICED AT THE PERMITTED CONSTRUCTION JOINT AT THE CONTRACTOR 'S OPTION. EXTRA WEIGHT OF STEEL DUE TO THE SPLICES SHALL BE PAID FOR BY THE CONTRACTOR.

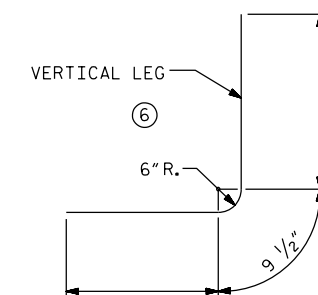
AT THE CONTRACTOR 'S OPTION, HE MAY SPLICE THE VERTICAL REINFORCING STEEL IN THE INTERIOR FACE OF EXTERIOR WALL AND BOTH FACES OF INTERIOR WALLS ABOVE LOWER WALL CONSTRUCTION JOINT. THE SPLICE LENGTH SHALL BE AS PROVIDED IN THE SPLICE LENGTH CHART SHOWN ON THE PLANS. EXTRA WEIGHT OF STEEL DUE TO THE SPLICES SHALL BE PAID FOR BY THE CONTRACTOR.

AT THE CONTRACTOR'S OPTION HE MAY SUBMIT, TO THE ENGINEER FOR APPROVAL, DESIGN AND DETAIL DRAWINGS FOR A PRECAST REINFORCED CONCRETE BOX CULVERT IN LIEU OF THE CAST-IN-PLACE CULVERT SHOWN ON THE PLANS. THE DESIGN SHALL PROVIDE THE SAME SIZE AND NUMBER OF BARRELS AS USED ON THE CAST-IN-PLACE DESIGN. FOR OPTIONAL PRECAST REINFORCED CONCRETE BOX CULVERT, SEE SPECIAL PROVISIONS.

LOCATION SKETCH

TOTAL STRUCTURE QUANTITIES	
CLASS A CONCRETE	
BARREL @ _____ - CY/FT _____	- C.Y.
WINGS ETC. _____	- C.Y.
TOTAL _____	- C.Y.
REINFORCING STEEL	
BARREL _____	- LBS.
WINGS ETC. _____	- LBS.
TOTAL _____	- LBS.
CULVERT EXCAVATION	LUMP SUM
FOUNDATION COND. MATERIAL	- TONS
REMOVAL OF EXISTING STRUCTURE	LUMP SUM

PROFILE ALONG CULVERT



BAR TYPE  
 BAR DIMENSIONS ARE OUT TO OUT

PROJECT NO. \_\_\_\_\_

\_\_\_\_\_ COUNTY

STATION: \_\_\_\_\_

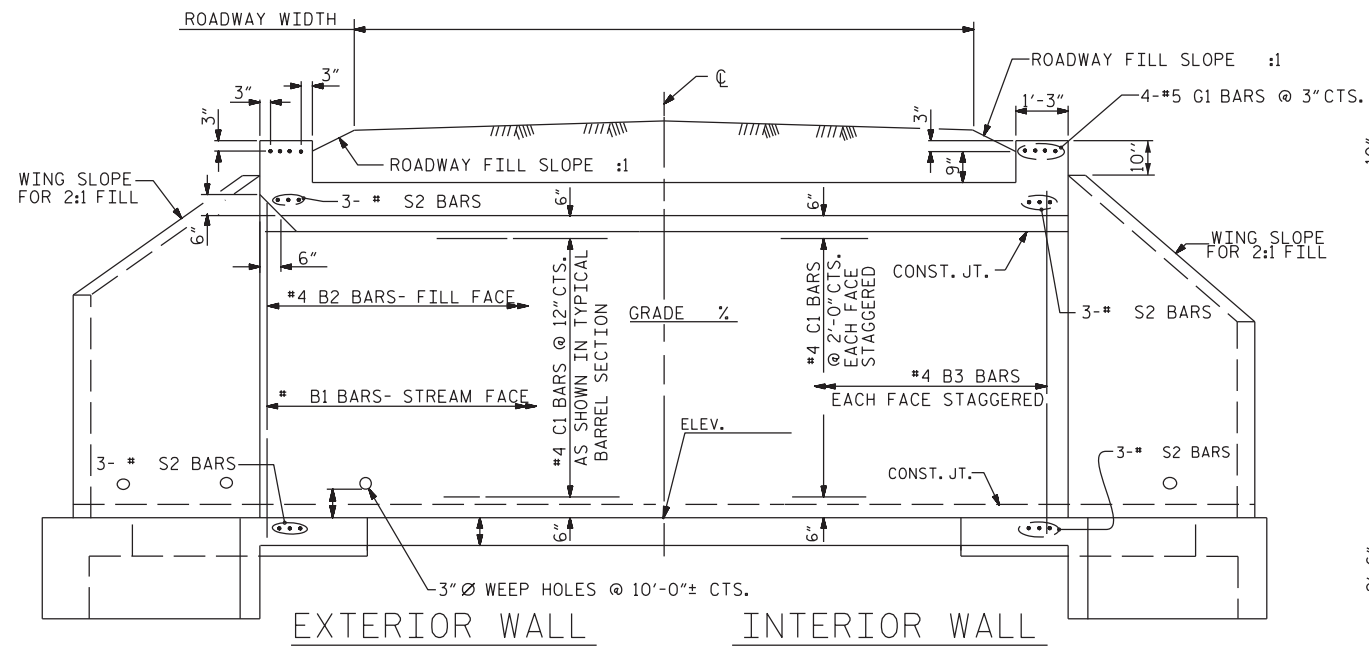
SHEET 1 OF 2

STATE OF NORTH CAROLINA  
 DEPARTMENT OF TRANSPORTATION  
 RALEIGH  
 BARREL STANDARD  
 DOUBLE FT. X FT.  
 CONCRETE BOX CULVERT  
 105° SKEW

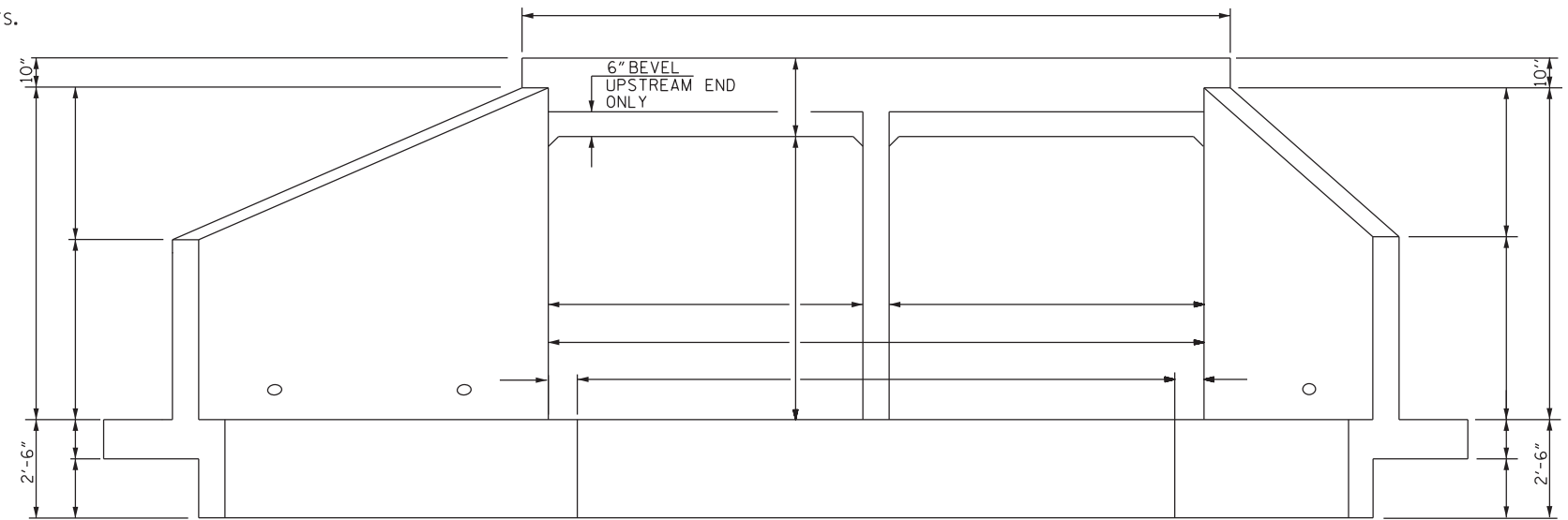
ASSEMBLED BY : -	DATE : -
CHECKED BY : -	DATE : -
DRAWN BY : RWW 10/89	REV. 6/19 MAA/THC
CHECKED BY : CRK 10/89	

DOCUMENT NOT CONSIDERED  
 FINAL UNLESS ALL  
 SIGNATURES COMPLETED

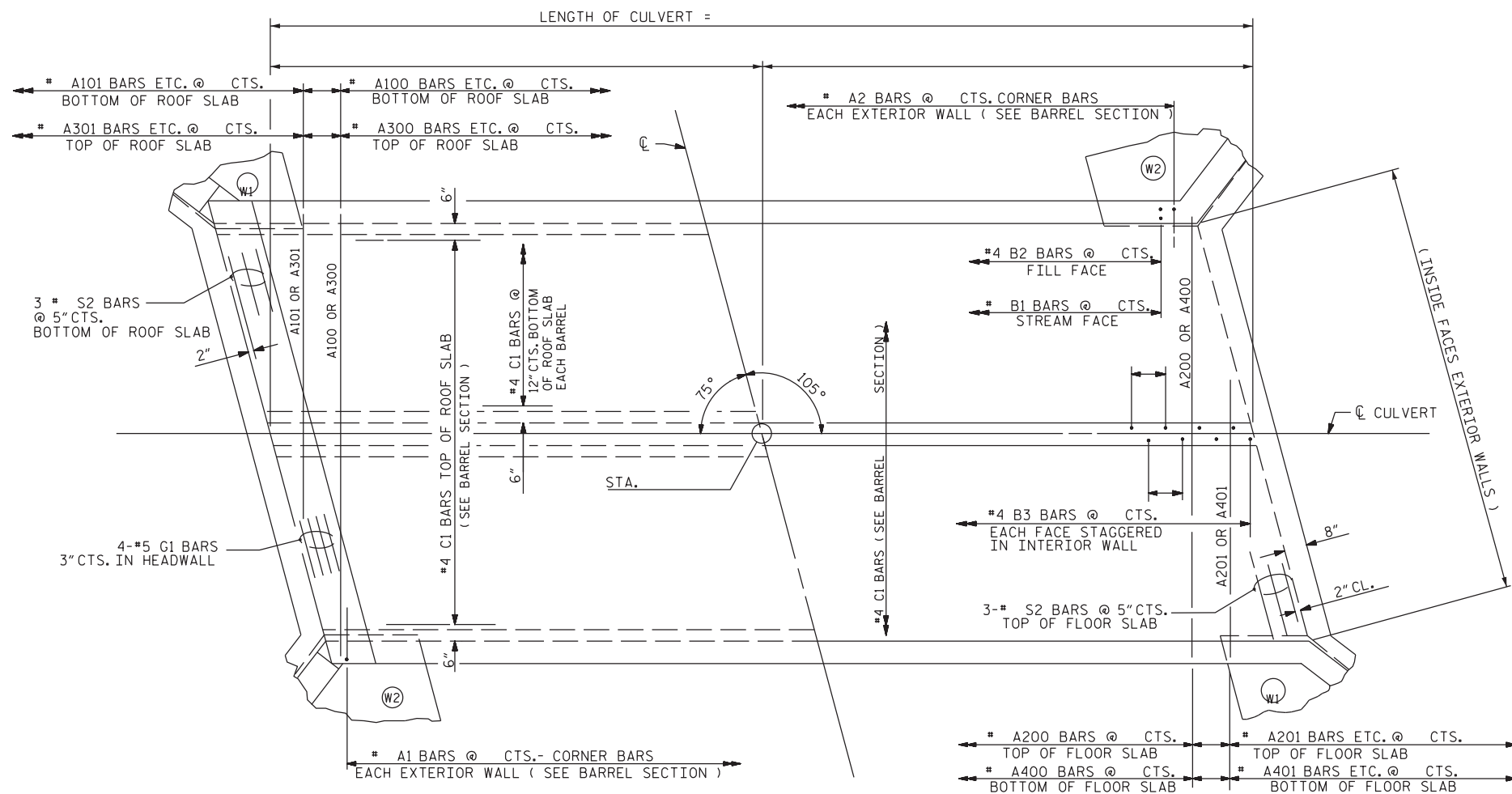
REVISIONS						SHEET NO.
NO.	BY:	DATE:	NO.	BY:	DATE:	TOTAL SHEETS
1			3			
2			4			



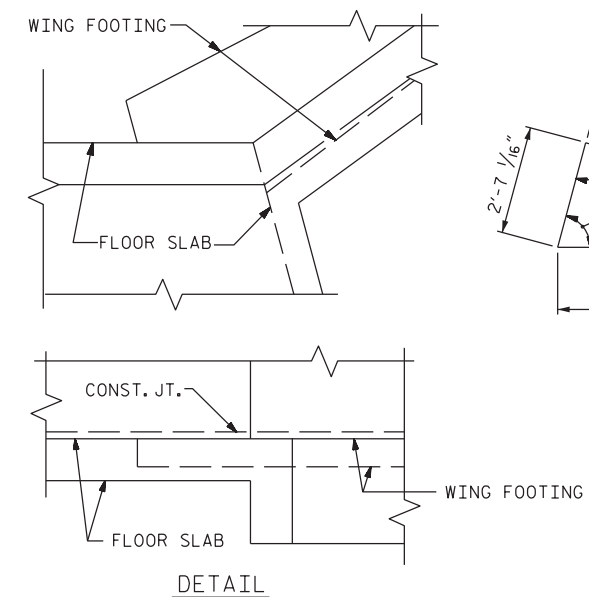
EXTERIOR WALL INTERIOR WALL  
CULVERT SECTION NORMAL TO ROADWAY



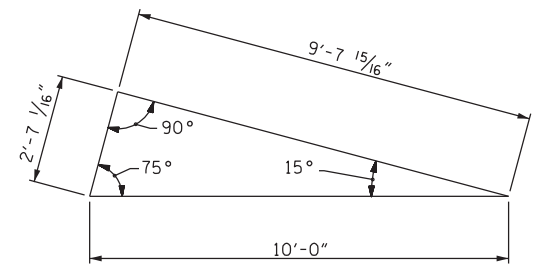
END ELEVATION NORMAL TO SKEW



PART PLAN - ROOF SLAB PART PLAN - FLOOR SLAB



CONNECTION OF WING FOOTING AND FLOOR SLAB WHEN SLAB IS THICKER THAN FOOTING



SKEW TRIANGLE

PROJECT NO. \_\_\_\_\_ COUNTY \_\_\_\_\_  
STATION: \_\_\_\_\_

SHEET 2 OF 2

STATE OF NORTH CAROLINA  
DEPARTMENT OF TRANSPORTATION  
RALEIGH  
BARREL STANDARD  
DOUBLE FT. X FT.  
CONCRETE BOX CULVERT  
105° SKEW

ASSEMBLED BY : -	DATE : -
CHECKED BY : -	DATE : -
DRAWN BY : ARB 11/90	REV. 6/19 MAA/THC
CHECKED BY : CRK 11/90	

DOCUMENT NOT CONSIDERED FINAL UNLESS ALL SIGNATURES COMPLETED

REVISIONS						SHEET NO.
NO.	BY:	DATE:	NO.	BY:	DATE:	TOTAL SHEETS
1			3			
2			4			